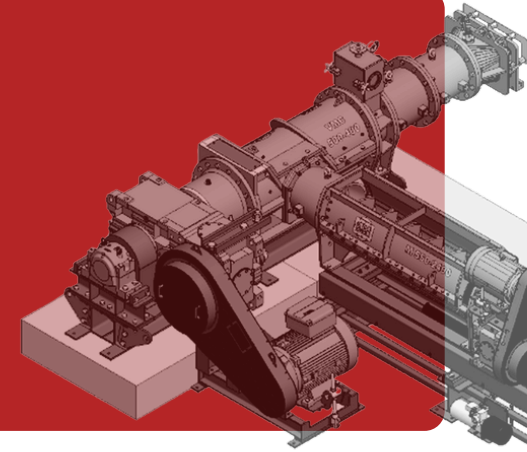


# Anti Rotation Pin

## For Extrusion Group

BMI designs, manufactures any types of anti-rotation pins for extrusion groups, providing custom solutions tailored to every production environment.

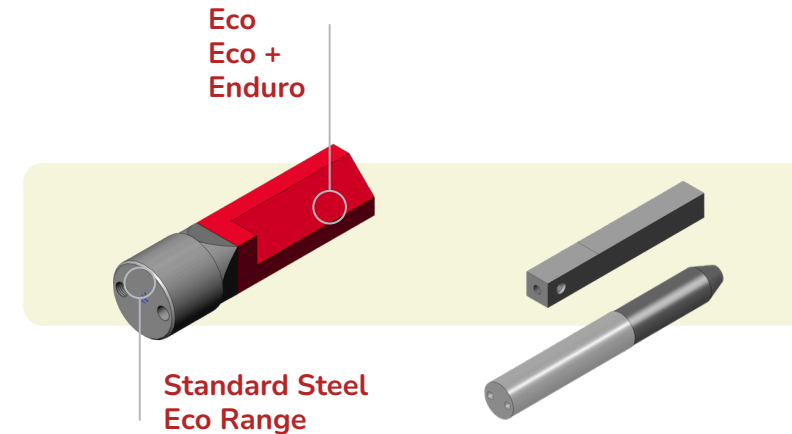


### A COMPLETE RANGE

**Eco** – Cost-Effective Solution in 400 HB wear resistant steel

**Eco+** – Hardfacing with FCW 63B Flux-Cored Wire

**Enduro** – Hardfacing with FR 8205 Flex Carb with High Tungsten Carbide Content



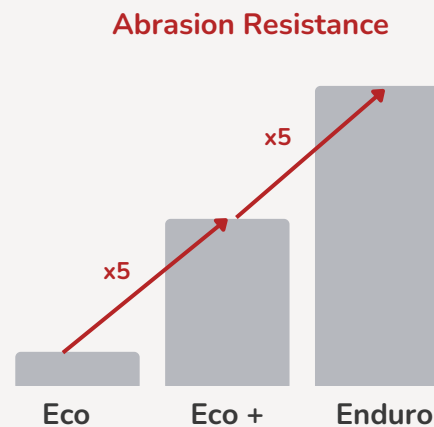
Parts Compatible with Equipment from Various OEM

For more information, visit the website:



Cost Reduction

Extended Lifespan



Contact us at the following address :  
[contact@marybmi.com](mailto:contact@marybmi.com)

